

MODEL 220 BI-DIRECTIONAL OUTPUT ADAPTOR

PART NUMBER 12M03-00113-01

APPLICATION NOTES

- The Model 220 Bi-directional Output Adaptor is connected to the Model 201 Field Firing Assembly as shown below:

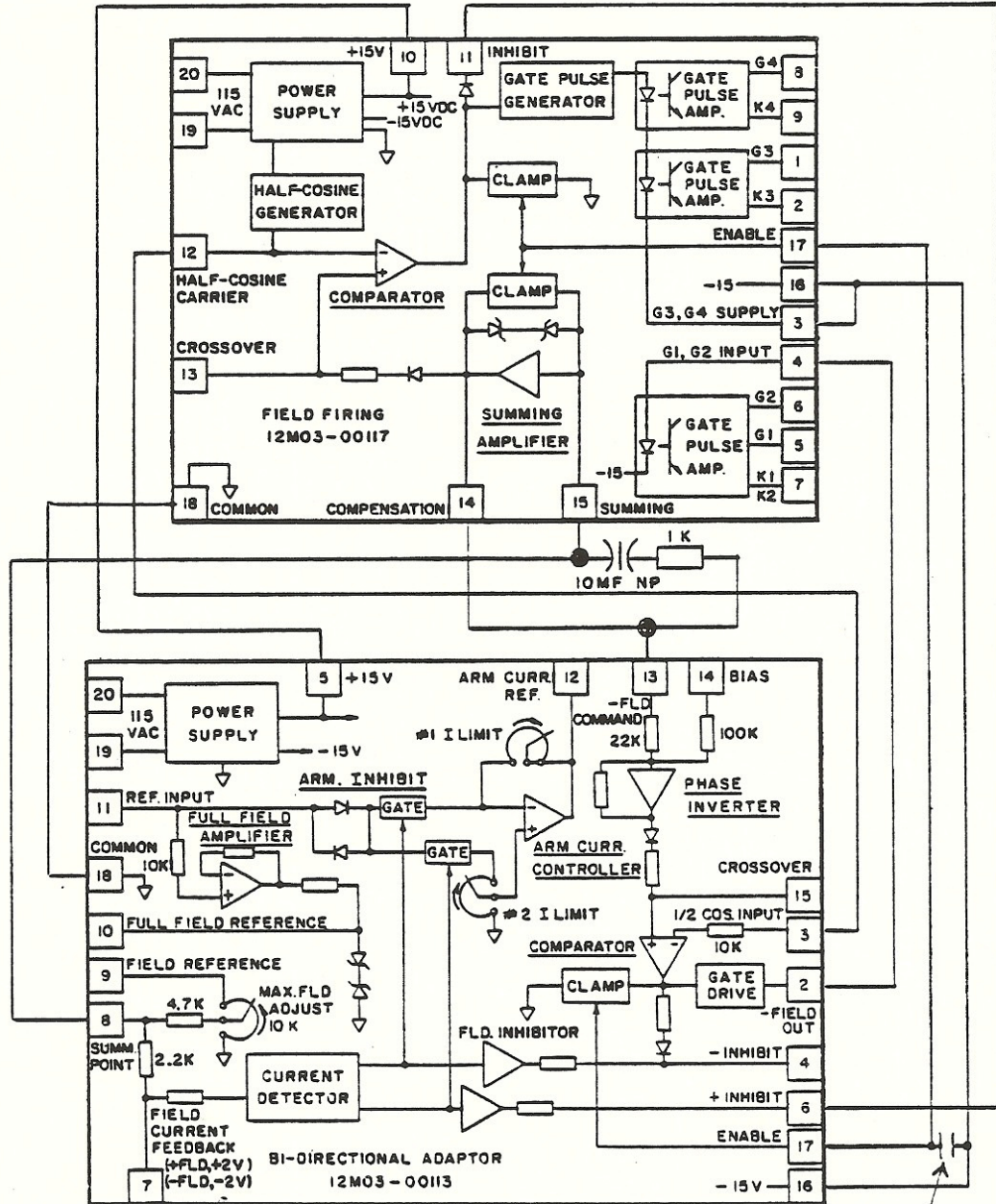


Fig. 2 Connection to Model 201 Firing Circuit

"RUN" contact

2. For various thyristor converter configurations, see Application Notes for the Model 201 Field Firing Circuit (AN201).
3. The plus and minus 15 volt DC power supply is brought out to terminals. These terminals are normally connected to the corresponding terminals on the Model 201 Field Firing Assembly, essentially paralleling the two power supplies.
4. Resistor 30R has been changed from 4.7K to 1.2K. This improves the speed of response by approximately 100 milliseconds.



GEMINI CONTROLS LLC
W61 N14280 TAUNTON AVE.
PO BOX 380
CEDARBURG, WI 53012
www.geminicontrols.com

PHONE: (262)-377-8585
FAX: (262)-377-4920
email: sales@geminicontrols.com