



MODEL 244 DUAL BRIDGE PULSE AMPLIFIER

PART NUMBER 12M03-00134-01

APPLICATION NOTES

1. The Model 244 Pulse Amplifier, when connected to an eight thyristor dual bridge, can be used with the Reflex Model 245 Firing Circuit to construct a single phase, four quadrant DC Motor Drive. (See simplified schematic AN-0142.) For power bridge connections, see FIGURE 1.
2. When used with the Reflex thyristor bridges, line designations AC1 and AC2 are arbitrarily assigned to the single phase line to identify relative phasing between the Model 245 Firing Circuit and the Power Bridge. (Where L1 of the Firing Circuit corresponds to AC1 of the power converter.)
3. Output voltage and current characteristics can be closely approximated by using a "load line" constructed with 12 volts at zero output current, linearly decreasing to zero volts at 0.5A. Since gate impedances vary widely, measurement of magnitude of output pulses connected to a thyristor gate is not particularly useful.
4. All or any of the outputs can be used for driving loads other than thyristor gates, as long as duty cycle limitations are not exceeded. Similarly, any source capable of 50mA into 1.25 volts can be used to drive the input.

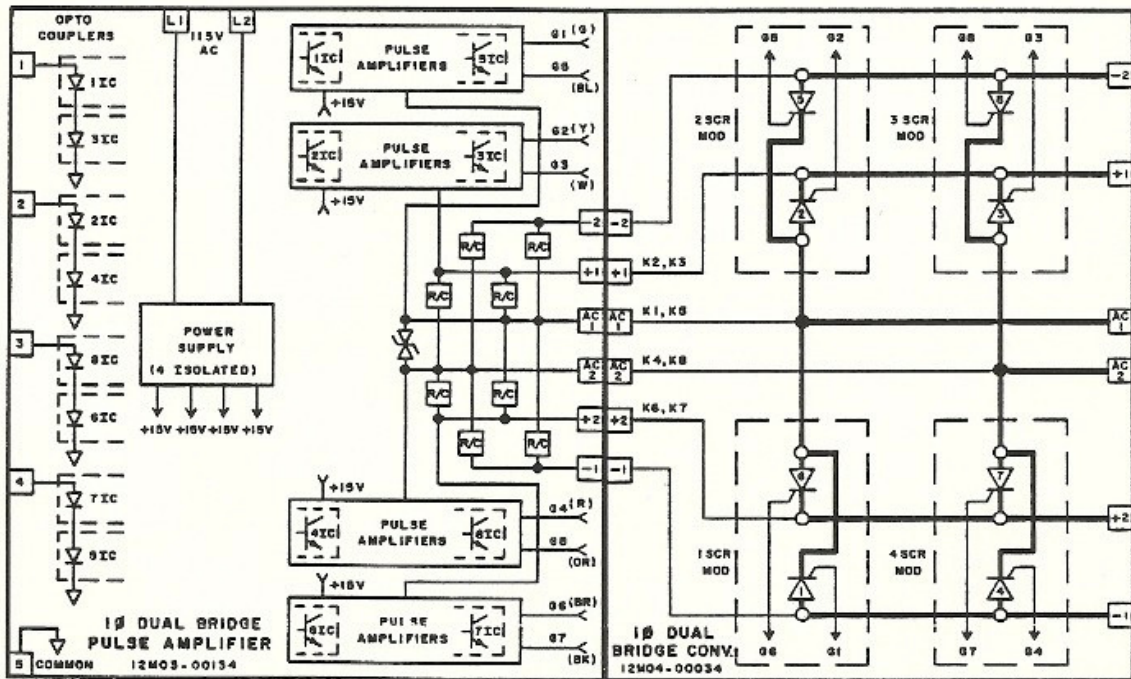


FIGURE 1



GEMINI CONTROLS LLC
 W61 N14280 TAUNTON AVE.
 PO BOX 380
 CEDARBURG, WI 53012
 www.geminicontrols.com

PHONE: (262)-377-8585
 FAX: (262)-377-4920
 email:sales@geminicontrols.com